

1

2

3

4

5

6

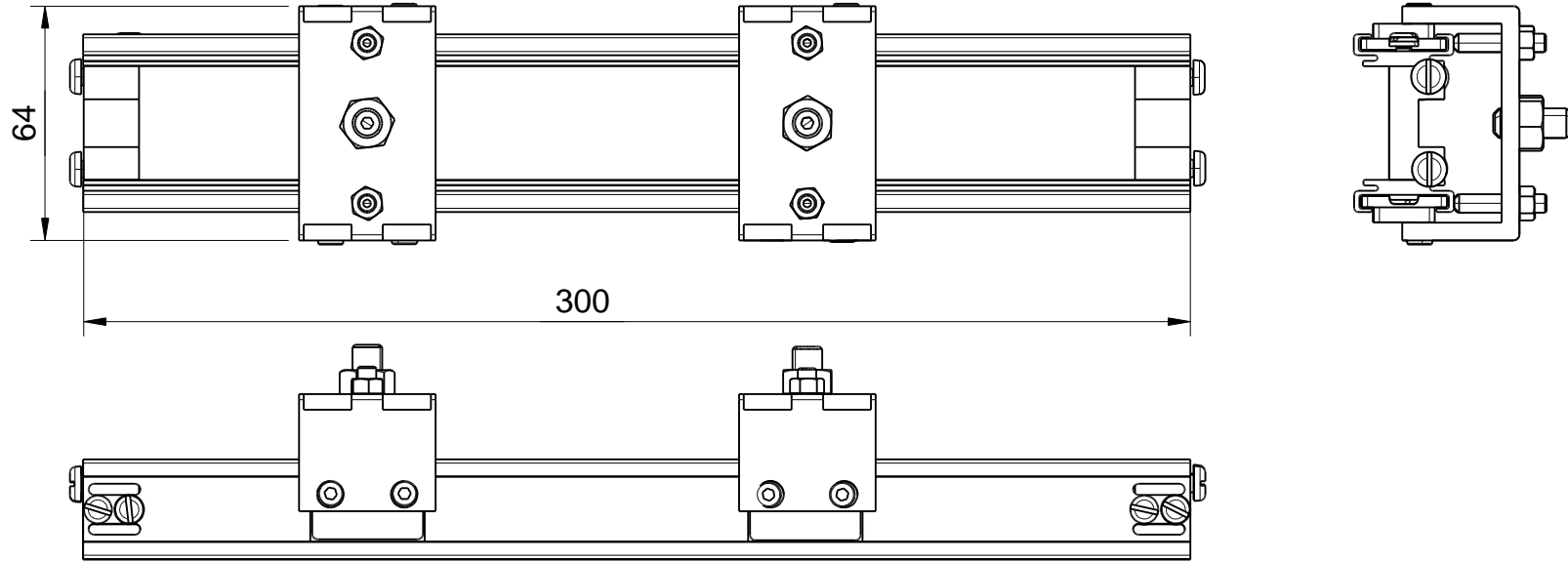
RevNo	Revision note		Date	Signature	Checked
-------	---------------	--	------	-----------	---------

A

A

B

B



C

C



Unit 4, Devon Units
 Budlake Road
 Marsh Barton Trading Estate
 Exeter, EX2 8PY, UK
 +44 (0)1392 829926
 www.flotec-uk.com

Itemref	Quantity	Title/Name, designation, material, dimension etc			Article No./Reference	
Drawn by PRO	Checked by	Approved by - date	File name	Date 17/11/16	Scale	
400 SERIES PERMANENT RAIL			STDRAIL-P		Edition	Sheet

D

D

1

2

3

4

5

6